

# QT022

## Liquid Cooled Gas Engine Generator Sets

Standby Power Rating  
22 kW 60 Hz



### GENERAC 2.4L ENGINE

Naturally Aspirated  
Gaseous Fueled  
Meets 2009 EPA Emission Regulations

## STANDARD EQUIPMENT

- All input connections in one single area
- High coolant temperature shutdown
- Low oil pressure shutdown
- Low coolant level automatic shutdown
- Overspeed automatic shutdown
- Crank timer
- Exercise timer
- Oil drain extension
- Cool flow radiator
- Closed coolant recovery system
- UV/Ozone resistant hoses
- Watertight state of the art electrical connectors
- Mainline circuit breaker
- Radiator drain extension
- Battery charge alternator
- 2 Amp static battery charger
- Battery cables
- Battery rack
- Fan and belt guards
- Isochronous governor
- Flex fuel line
- Hour meter

## FEATURES

- Innovative design and fully prototype tested
- UL2200 Listed
- Solid state frequency compensated voltage regulator
- Dynamic and static battery charger
- Sound attenuated acoustically designed enclosure
- Quiet test for low noise level exercise
- Acoustically designed engine cooling system
- High flow low noise factory engineered exhaust system
- State of the art digital control system with R100 digital control panel
- Watertight electrical connectors
- Rodent proof construction
- High efficiency, low distortion Generac designed alternator
- Vibration isolated from mounting base
- Matching Generac transfer switches engineered and tested to work as a system
- All components easily accessible for maintenance
- Electrostatically applied powder paint

# GENERAC®

# APPLICATION & ENGINEERING DATA

QT022

## GENERATOR SPECIFICATIONS

TYPE .....	Synchronous
ROTOR INSULATION.....	Class H
STATOR INSULATION.....	Class H
TOTAL HARMONIC DISTORTION.....	<5%
TELEPHONE INTERFERENCE FACTOR (TIF) .....	<50
ALTERNATOR OUTPUT LEADS 3 PHASE .....	4 wire
BEARINGS.....	Sealed Ball
COUPLING.....	Flexible Disc
LOAD CAPACITY (STANDBY RATING).....	22 kW
EXCITATION SYSTEM.....	Direct

**NOTE:** Generator rating and performance in accordance with ISO8528-5, BS5514, SAE J1349, ISO3046, and DIN6271 standards.

## VOLTAGE REGULATOR

TYPE .....	Electronic
SENSING .....	Single Phase
REGULATION.....	± 1%
FEATURES.....	V/F Adjustable Adjustable Voltage and Gain LED Indicators

## GENERATOR FEATURES

- Revolving field heavy duty generator
- Directly connected to the engine
- Operating temperature rise 120 °C above a 40 °C ambient
- Insulation is Class H rated at 150 °C rise
- All models are fully prototyped tested

## CONTROL PANEL FEATURES

- SEVEN LED INDICATOR LIGHTS
  - System ready
  - Low fuel pressure
  - Low battery
  - Low oil pressure
  - High coolant temp/low coolant temp
  - Overspeed
  - Overcrank
- INTERNAL FUNCTIONS:
  - 3 position switch (auto, off and manual)
  - 2 wire start for any transfer switch
  - Communicates with the Generac RTS transfer switch
  - Built-in 7 day exerciser
  - Selectable engine speed at exercise
  - Governor controller is built into the master control board
  - Temperature range -40 °C to 70 °C
- ADDITIONAL FUNCTIONS
  - Utility sensing
  - Delay on utility failure for engine start
  - Engine warm-up before transfer
  - Delay to retransfer to utility
  - Engine cooldown timer
  - Exerciser not set
  - Hour meter

## ENGINE SPECIFICATIONS

MAKE .....	Generac
MODEL.....	Inline 4
CYLINDERS.....	4
DISPLACEMENT.....	2.4 Liter
BORE.....	3.41
STROKE.....	3.94
COMPRESSION RATIO.....	8.5:1
INTAKE AIR SYSTEM.....	Naturally Aspirated
VALVE SEATS.....	Hardened
LIFTER TYPE.....	Hydraulic

## GOVERNOR SPECIFICATIONS

TYPE .....	Electronic
FREQUENCY REGULATION.....	Isochronous
STEADY STATE REGULATION.....	± 0.25
ADJUSTMENTS FOR:	
Speed .....	Yes
Droop.....	Yes

## ENGINE LUBRICATION SYSTEM

OIL PUMP .....	Gear
OIL FILTER.....	Full flow spin-on cartridge
CRANKCASE CAPACITY.....	4 Quarts

## ENGINE COOLING SYSTEM

TYPE .....	Closed
WATER PUMP.....	Belt driven
FAN SPEED .....	1980
FAN DIAMETER.....	17.75 inches
FAN MODE.....	Pusher

## FUEL SYSTEM

FUEL TYPE.....	Natural gas, propane vapor
CARBURETOR.....	Down Draft
SECONDARY FUEL REGULATOR.....	Standard
FUEL SHUT OFF SOLENOID .....	Standard
OPERATING FUEL PRESSURE.....	5" - 14" H <sub>2</sub> O

## ELECTRICAL SYSTEM

BATTERY CHARGE ALTERNATOR.....	12V 30 Amp
STATIC BATTERY CHARGER .....	2 Amp
RECOMMENDED BATTERY .....	Group 26, 525CCA
SYSTEM VOLTAGE.....	12 Volts

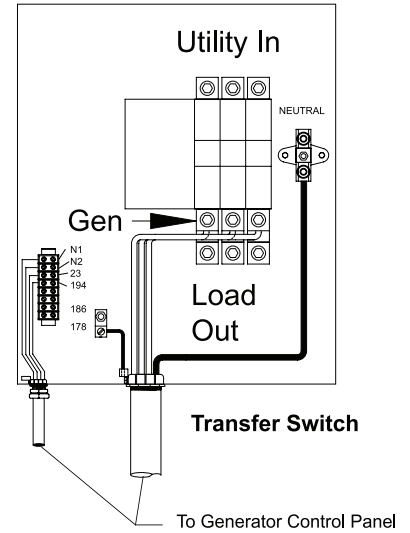
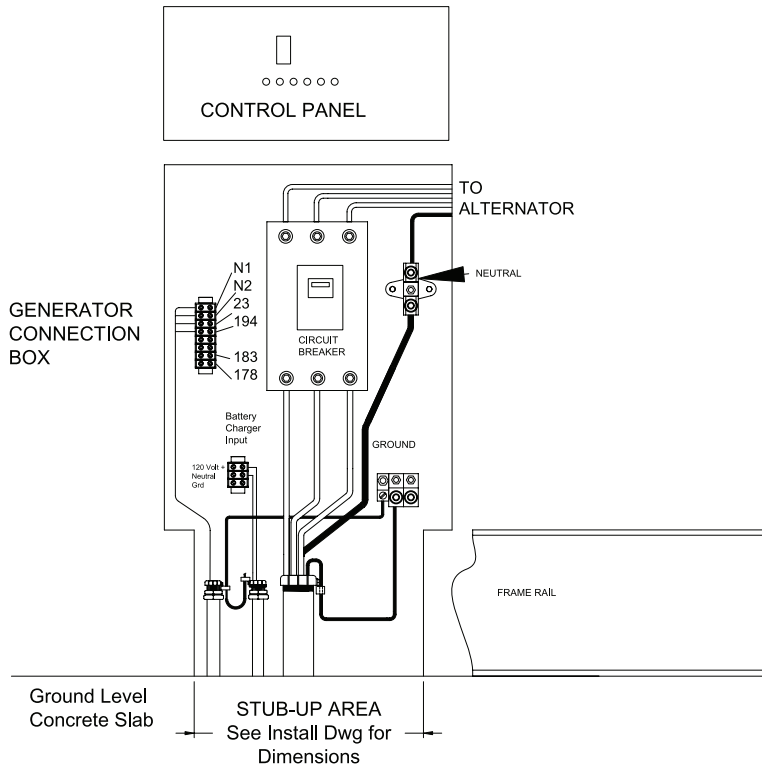
## OPERATING DATA

		QT022		
<b>KW RATING</b>		22		
<b>ENGINE SIZE</b>		2.4 Liter Inline 4		
<b>GENERATOR OUTPUT VOLTAGE/KW - 60Hz</b>		<b>KW</b>	<b>AMP</b>	<b>CB Size</b>
120/240V, 1-phase, 1.0 pf		22	92	100
120/208V, 3-phase, 0.8 pf		22	76	80
120/240V, 3-phase, 0.8 pf		22	66	80
<b>GENERATOR LOCKED ROTOR KVA AVAILABLE @ VOLTAGE DIP OF 35%</b> Single phase or 208 3-phase		43		
<b>ENGINE FUEL CONSUMPTION (Natural Gas) (Propane)</b>		<b>Natural Gas</b>	<b>Propane</b>	
		(ft <sup>3</sup> /hr.)	(gal/hr.)	cu ft/hr
Exercise cycle		42	0.44	16
25% of rated load		100	1.0	38
50% of rated load		190	2.0	72
75% of rated load		255	2.7	98
100% of rated load		316	3.3	120
<b>ENGINE COOLING</b>				
Air flow (inlet air including alternator and combustion air)		ft <sup>3</sup> /min.	2,400	
System coolant capacity		US gal.	2.5	
Heat rejection to coolant		BTU/hr.	99,000	
Max. operating air temp. on radiator		°C (°F)	60 (150)	
Max. ambient temperature		°C (°F)	50 (140)	
<b>COMBUSTION AIR REQUIREMENTS</b>				
Flow at rated power 60 Hz		cfm	68	
<b>SOUND EMISSIONS IN DBA</b>				
Exercising at 7 meters		61		
Normal operation at 7 meters		70		
<b>EXHAUST</b>				
Exhaust flow at rated output 60 Hz		cfm	165	
Exhaust temp. at muffler outlet		°F	900	
<b>ENGINE PARAMETERS</b>				
Rated synchronous RPM		60 Hz	1800	
HP at rated KW		60 Hz	40	
<b>POWER ADJUSTMENT FOR AMBIENT CONDITIONS</b>				
Temperature Deration				
3% for every 10 °C above - °C		25		
1.65% for every 10 °F above - °F		77		
Altitude Deration				
1% for every 100 m above - m		183		
3% for every 1000 ft. above - ft.		600		
<b>ENCLOSURE</b>				
Material		Aluminum		
Color		PMS 422 (Bisque)		

RATING: All three phases units are rated at 0.8 power factor. All single phase units are rated at 1.0 power factor. STANDBY RATING: Standby ratings apply to installations served by a reliable utility source. The standby rating is applicable to varying loads for the duration of a power outage. There is no overload capability for this rating. Ratings are in accordance with ISO-3046-1. Design and specifications are subject to change without notice.

# INTERCONNECTIONS

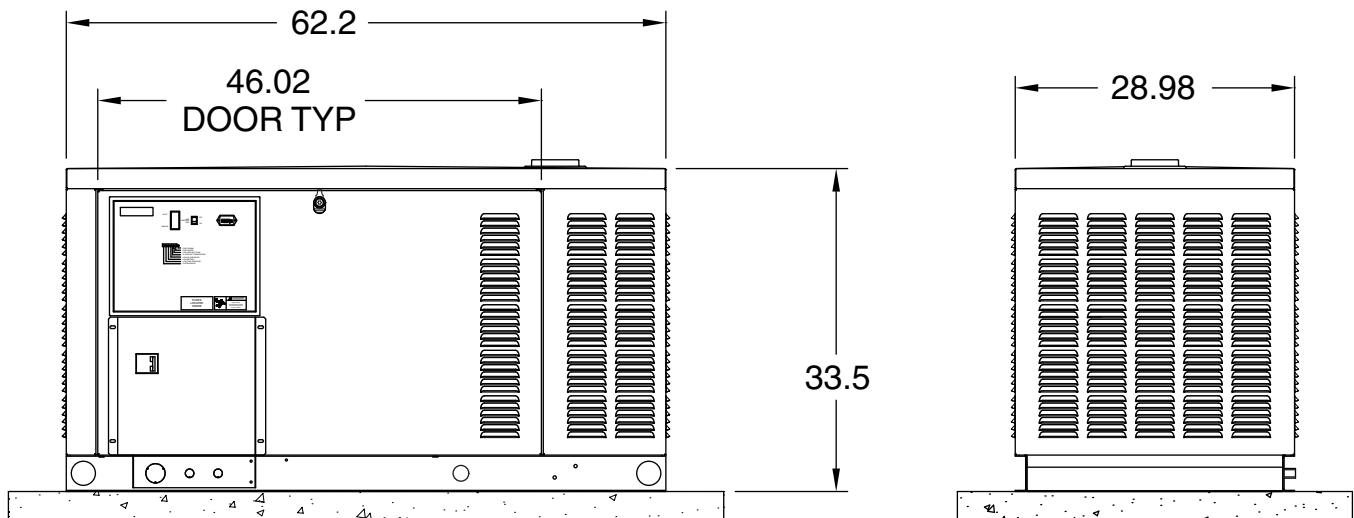
QT022



CIRCUIT BREAKER SIZE			
KW	VOLTS	/ AMPS	LUG SIZE
22	240 1 Ø	100	#6 to 2/0
22	208 3 Ø	80	#6 to 2/0
22	240 3 Ø	80	#6 to 2/0

Installation Drawing Ref. No. 0G0325

# INSTALLATION LAYOUT



SEE INSTALL DWG 0G9370 FOR DETAILS

FRONT VIEW

WEIGHT: 843 lbs.



Generac Power Systems, Inc. • S45 W29290 HWY. 59, Waukesha, WI 53189 • generac.com

©2009 Generac Power Systems, Inc. All rights reserved. All specifications are subject to change without notice. Bulletin 0177700SBY/Printed in U.S.A. 05.08, rev: 03.09